



VE SERIES

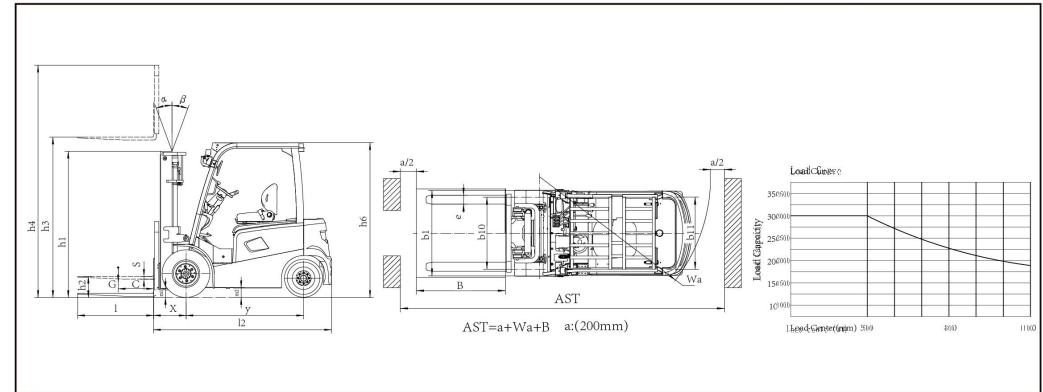
Capacity
3.0 ton

LITHIUM-ION FORKLIFT

Based on the success of the V-Series, UN FORKLIFT has developed the VE-Series of Lithium-ion forklift with small-capacity battery and super-competitive cost for specific industries.



www.unforklift.com



MAST SPECIFICATIONS & RATED CAPACITIES

Mast Type	Mast Name	Max. Fork Height (mm)	Load Capacity (kg)	Overall Height (mm)			Free Lift (mm)		Tilt Angle (Single)	Total Weight (kg)
				Lowered	Extended		Without Backrest	With Backrest		
					Without Backrest	With Backrest				
			FB30-LVBE	3.0t		3.0t			FB30-LVBE	
Wide View Mast	M300	3000	3000	2070	3590	4070	145		6-12	4140
	M330	3300	3000	2220	3890	4370	145		6-12	4155
	M350	3500	3000	2320	4090	4570	145		6-12	4170
	M370	3700	3000	2420	4290	4770	145		6-12	4190
	M400	4000	2800	2620	4590	5070	145		6-6	4255
	M430	4300	2600	2770	4890	5370	145		6-6	4295
	M450	4500	2500	2870	5090	5570	145		6-6	4315
	M470	4700	2200	2970	5290	5770	145		6-6	4335
	M500	5000	2150	3170	5590	6070	145		6-6	4400
M550	5500	1600	3420	6090	6570	145		3-6	4450	
M600	6000	1150	3670	6590	7070	145		3-6	4470	
2-Stage Full Free Wide View Mast	FM270	2700	3000	1920	3240	3715	1232	757	6-12	4175
	FM300	3000	3000	2070	3590	4065	1382	907	6-12	4210
	FM330	3300	3000	2220	3940	4415	1532	1057	6-12	4240
	FM350	3500	3000	2320	4090	4565	1632	1157	6-12	4260
	FM370	3700	3000	2420	4240	4715	1732	1257	6-6	4275
3-Stage Full Free Wide View Mast	TFM400	4000	2800	2010	4720	5110	1345	955	6-6	4395
	TFM430	4300	2600	2110	5020	5410	1445	1055	6-6	4430
	TFM450	4500	2450	2160	5200	5610	1520	1105	6-6	4440
	TFM480	4800	2400	2260	5500	5910	1620	1205	6-6	4475
	TFM500	5000	2200	2310	5700	6110	1670	1255	6-6	4500
	TFM550	5500	1900	2510	6220	6610	1845	1455	3-6	4545
	TFM600	6000	1000	2710	6820	7210	2045	1655	3-6	4630

NOTE: With side shifter, load capacity subtract 200Kg.

ZHEJIANG UN FORKLIFT CO., LTD.

ADDRESS: NO.1,ROAD ONE,XINDENG NEW DISTRICT,FUYANG,HANGZHOU,ZHEJIANG 311404,CHINA

TEL:+86-571-8688 8355(AMERICA)

+86-571-8886 9363(EUROPE)

+86-571-8688 8377(ASIA, AFRICA, OCEANIA)

E-MAIL: info@unforklift.com

PARTS INQUIRY: parts@unforklift.com



● **Modern & Beautiful Design**



● **Super Cost-Competitive**

● **Out Door & In Door Application**

Indoor: Work as traditional electric forklift
Outdoor : A replacement of IC forklift

● **Working Time & Applications**

2-3 hours, with built-in charger

● **Stronger & More Flexibility**

Higher ground clearance
Casting steering axle



● **Optimized Ergonomic Design**

Wider operation space, 50% bigger than traditional electric forklift and even same as IC forklift



● **Easier Maintenance**

Side-swapping of battery pack for easy battery replacement



Big open angel hood & larger inside space for a better access to main parts



LED screen provides real-time information of the forklift
Can-bus monitor the forklift all the time

5 YEARS WARRANTY

The Best Lithium-ion Technology

Famous lithium battery in China
Integrated BMS
5-Years warranty, about 4000 times life cycle
3rd-generation battery
IP67 waterproof & dustproof



MAIN SPECIFICATIONS				
Characteristics	1	Manufacturer	UN	
	2	Model	FB30-LVBE	
	3	Load capacity /rated load	Q(kg)	3000
	4	Load centre distance	c(mm)	500
	5	Load distance, center of drive axle to fork	x(mm)	474
	6	Wheelbase	y(mm)	1750
Weight	7	Total Weight	kg	4140
	8	Axle loading, loaded front / rear	kg	6390/750
	9	Axle loading, unloaded front / rear	kg	1720/2420
Tyres & chassis	10	Tires	Pneumatic	
	11	Tyre size (Front x 2)	7.00-12-12PR	
	12	Tyre size (Rear x 2)	18×7-8-14PR	
	13	Front tread	b10(mm)	980
14	Rear tread	b11(mm)	955	
Dimensions	15	Tilt of mast/fork carriage forward/backward	α/β (°)	6°/12°
	16	Mast lowered height	h1(mm)	2070
	17	Free lift height	h2(mm)	145
	18	Rated lift height	h3(mm)	3000
	19	Mast extended height (With backrest)	h4(mm)	4070
	20	Overhead guard height	h6(mm)	2250
	21	Length to face of fork (Without fork)	l2(mm)	2580
	22	Overall width	b1(mm)	1180
	23	Fork size (l×e×s)	l/e/s(mm)	1070×125×45
	24	Distance between fork-arms	b5(mm)	250/1075
	25	Ground clearance (Laden,below mast)	m1(mm)	115
	26	Ground clearance (Centre of wheelbase)	m2(mm)	140
	27	Aisle width for pallets 1000×1200 crossways	As1(mm)	3945
	28	Aisle width for pallets 800×1200 lengthways	As1(mm)	4145
	29	Turning radius (Outside)	Wa(mm)	2270
Performance	30	Travel speed (Full load)	km/h	11
	31	Travel speed (No load)	km/h	12
	32	Lifting speed (Full load)	mm/s	250
	33	Lifting speed (No load)	mm/s	360
	34	Max.Gradeability (Full load)	%	12
	35	Max.Gradeability (No load)	%	15
Drive	36	Drive motor rating S2-60min	kw	10
	37	Lift motor rating at S3-15min	kw	12
	38	Battery voltage, nominal capacity	V/Ah	80V/135Ah
	39	Battery weight	kg	106
Others	40	Type of drive control	MOS/AC	
	41	Manufacturer	SUPEREC	