



UN FORKLIFT

# N Series Diesel Forklift Truck (Mini 4.0T)

MINI

4

TON



**Enhanced Electro-Hydraulic Transmission** ensures continuous, powerful performance and longer service life.  
**20.5 MPa Hydraulic System** matched with the powerful Isuzu 4JG2 & Xinchai A498 engines, delivering excellent vehicle performance and high efficiency.



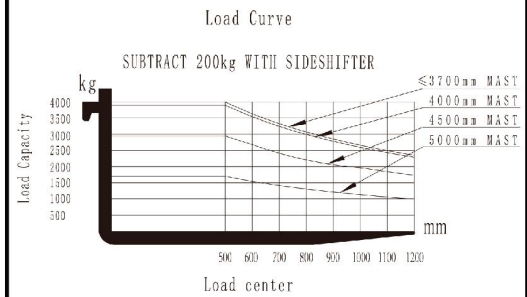
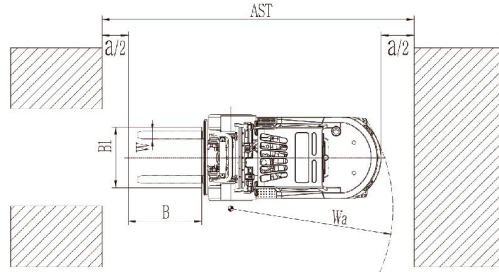
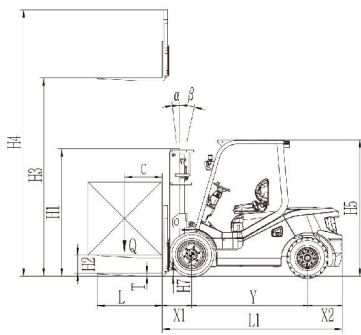
**Newly Designed Sheet-Metal Iron Hood** with a 70° opening angle for easier maintenance & inspection.



**Reinforced Wide-Body Rear Axle:** Combined with 7.00-12-12PR pneumatic steering tires, enhancing vehicle stability.  
**Greater steering angle** optimizes turning radius for maneuverability in tight spaces.



**Broad New-Style Counterweight** increases ventilation space, enhancing heat dissipation to support extended high-intensity operations.



### MAIN SPECIFICATIONS

General	1	Manufacturer	UN		
	2	Model	FD40T-XN2GA7	FD40T-XN2JB2	
Characteristic & Dimension	3	Power Type	Diesel		
	4	Rated Load Capacity	Q(kg)	4000	
	5	Load Centre	C(mm)	500	
	6	Rated Lift Height	H3(mm)	3000	
	7	Free Lift Height	H2(mm)	150	
	8	Fork Size (L×W×T)	mm	1070×150×50	
	9	Mast Tilt Angle (F/R, α°/β°)	deg	6/12	
	10	Fork Overhang (Wheel Center to Fork Face)	X1(mm)	487	
	11	Rear Overhang	X2(mm)	570	
	12	Ground Clearance (Bottom of Mast)	H7(mm)	130	
	13	Length to Face of Fork (Without Fork)	L1(mm)	2977	
	14	Overall Width	B1(mm)	1410	
	15	Mast Lowered Height	H1(mm)	2175	
	16	Mast Extended Height (With Backrest)	H4(mm)	4230	
	17	Overhead Guard Height	H5(mm)	2240	
	18	Turning Radius (Outside)	Wa(mm)	2680	
	19	Min.Aisle width for pallets	Ast(mm)	4365	
	Performance	20	Travel Speed (No Load)	km/h	20
		21	Lifting Speed (Full Load)	mm/sec	450
22		Lowering Speed(Full Load/No Load)	mm/sec	No Load≥300 Full Load≤600	
23		Max.Drawbar Pull (Full Load)	KN	22	
Chassis	24	Max.Gradeability (Full Load)	%	20	
	25	Tyre (Front x2)	mm	250-15-16PR	
	26	Tyre (Rear x2)	mm	7.00-12-12PR	
	27	Front Tread	B2(mm)	1160	
	28	Rear Tread	B3(mm)	1110	
Weight	29	Wheelbase	Y(mm)	1900	
	30	Total Weight	kg	5490	
	31	Front Axle Weight Distribution (Full Load)	kg	8540	
	32	Rear Axle Weight Distribution (Full Load)	kg	950	
Power & Transmission	33	Front Axle Weight Distribution (No Load)	kg	2190	
	34	Rear Axle Weight Distribution (No Load)	kg	3300	
	35	Battery	V/Ah	12/90	
	36	Engine Model		A498BPG-521 4JG2	
	37	Engine Manufacturer		XINCHAI ISUZU	
	38	Rated Output / r.p.m.	kw	45KW/2500 46KW/2450	
	39	Rated Torque / r.p.m.	N·m	193Nm/1800 184.7Nm/1700	
	40	No.of Cylinder		4	
	41	Bore x Stroke	mm	98×105 95.4×107	
	42	Displacement	L	3.167 3.059	
	43	Fuel Tank Capacity	L	80	
	44	Transmission Type		HYDRAULIC	
	45	Transmission Stage (FWD/RVS)		1/1	
	46	Operating Pressure (For Attachments)	Mpa	20.5	

### MAST SPECIFICATIONS & RATED CAPACITIES

Mast Type	Mast Name	Max. Fork Height (mm)	Load Capacity (kg)	Overall Height (mm)			Free Lift (mm)		Tilt Angle (Single)	Weight(Kg)
				Lowered	Extended		Without Backrest	With Backrest		
					Without Backrest	With Backrest				
				FD40T	FD40T		FD40T		FD40T	
Wide View Mast	M270	2700	4000	2025	3460	3930	150	150	6-12	5445
	M290	2900	4000	2125	3660	4130	150	150	6-12	5460
	M300	3000	4000	2175	3760	4230	150	150	6-12	5470
	M320	3200	4000	2275	3960	4430	150	150	6-12	5490
	M330	3300	4000	2345	4100	4570	150	150	6-12	5500
	M350	3500	4000	2425	4260	4730	150	150	6-12	5520
	M370	3700	4000	2525	4460	4930	150	150	6-12	5535
	M400	4000	3900	2725	4760	5230	150	150	6-6	5570
	M450	4500	2950	2975	5260	5730	150	150	6-6	5620
	M500	5000	1700	3275	5760	6230	150	150	6-6	5670
3-Stage Full Free Wide View Mast	TFM400	4000	3900	2015	4765	5224	1240	775	6-6	5745
	TFM430	4300	3800	2115	5065	5524	1340	875	6-6	5765
	TFM450	4500	3700	2165	5265	5725	1390	925	6-6	5780
	TFM470	4700	3600	2265	5765	6224	1490	1025	6-6	5800
	TFM500	5000	2900	2335	5965	6424	1560	1095	6-6	5820
	TFM525	5250	2500	2415	6175	6634	1640	1175	3-6	5840
	TFM550	5500	2000	2515	6435	6894	1740	1275	3-6	5870
	TFM600	6000	1500	2715	6935	7394	1940	1475	3-6	5920
	TFM650	6500	900	2880	7266	7725	2110	1645	3-6	5970

With side shifter, load capacity subtract 200Kg.