

## ZHEJIANG UN FORKLIFT CO., LTD.

ADDRESS: NO.1,ROAD ONE,XINDENG NEW DISTRICT,FUYANG,  
HANGZHOU,ZHEJIANG 311404,CHINA

TEL: +86-571-8688 8355 (AMERICA)

+86-571-8886 9363 (EUROPE)

+86-571-8688 8377 (ASIA, AFRICA, OCEANIA)

E-MAIL: info@unforklift.com

PARTS INQUIRY: parts@unforklift.com

[www.unforklift.com](http://www.unforklift.com)



The International  
UN Team

[unforklift.com](http://unforklift.com)



UN FORKLIFT

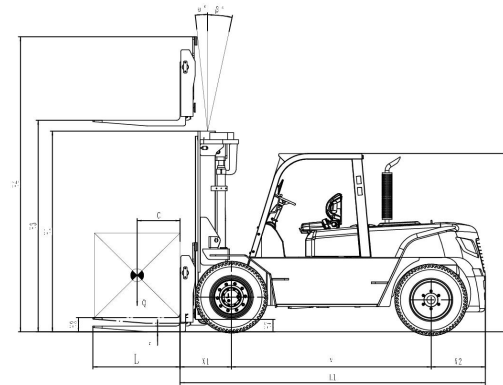
## N Series Heavy Duty Diesel Forklift Truck

5.0-10.0 Ton Diesel Forklift

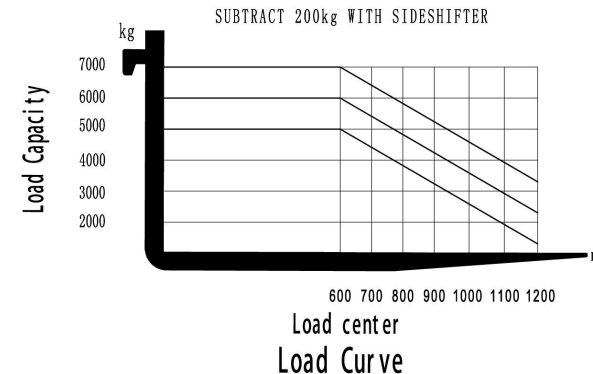
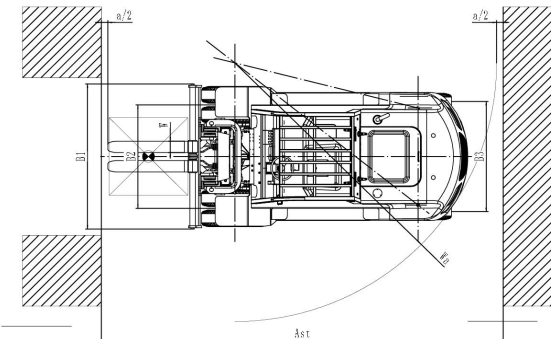


# MAIN SPECIFICATIONS

General	1	Manufacturer	UN			
	2	Model	FD50T	FD70T	FD100T	
	3	Power Type	Diesel			
	4	Rated Load Capacity	Q(kg)	5000	7000	10000
	5	Load Centre	C(mm)	600		
Characteristic & Dimension	6	Rated Lift Height	H3(mm)	3000		
	7	Free Lift Height	H2(mm)	212	217	220
	8	Fork Size (L×W×T)	mm	1220×150×60	1220×150×65	1220×175×80
	9	Mast Tilt Angle (F/R, α°/β°)	deg	6°/12°		
	10	Fork Overhang (Wheel Center to Fork Face)	X1(mm)	587	592	721
	11	Rear Overhang	X2(mm)	640	705	760
	12	Ground Clearance (Bottom of Mast)	H7(mm)	200	200	245
	13	Length to Face of Fork (Without Fork)	L1(mm)	3477	3547	4281
	14	Overall Width	B1(mm)	1995	1995	2165
	15	Mast Lowered Height	H1(mm)	2515	2615	2845
	16	Mast Extended Height (With Backrest)	H4(mm)	4437	4437	4270
Performance	17	Overhead Guard Height	H5(mm)	2450	2450	2540
	18	Turning Radius (Outside)	Wa(mm)	3280	3360	3900
	19	Min. Aisle width for pallets	Ast(mm)	5285	5365	6045
	20	Travel Speed (No Load)	km/h	20	20	20
	21	Lifting Speed (No Load/Full Load)	mm/sec	400/500	330/460	310
	22	Lowering Speed (No Load/Full Load)	mm/sec	≥300, ≤600	≥300, ≤600	≥300, ≤600
	23	Max. Drawbar Pull (Full Load)	KN	54	54	58
	24	Max. Gradeability (Full Load)	%	32/35	24/29	20
Chassis	25	Tyre (Front x 4)	mm	8.25-15-14PR	8.25-15-14PR	9.00-20-14PR
	26	Tyre (Rear x 2)	mm	8.25-15-14PR	8.25-15-14PR	9.00-20-14PR
	27	Front Tread	B2(mm)	1470	1470	1600
	28	Rear Tread	B3(mm)	1700	1700	1700
	29	Wheelbase	Y(mm)	2250	2250	2800
Weight	30	Total Weight	kg	8260	9760	12900
	31	Front Axle Weight Distribution (Full Load)	kg	11860	14870	20610
	32	Rear Axle Weight Distribution (Full Load)	kg	1400	1890	2290
	33	Front Axle Weight Distribution (No Load)	kg	4250	4170	5660
	34	Rear Axle Weight Distribution (No Load)	kg	4010	5590	8240
Power & Transmission	35	Battery	V/Ah	24/90		
	36	Fuel Tank Capacity	L	120		
	37	Transmission Type		HYDRAULIC		
	38	Transmission Stage (FWD/RVS)		2/1		
	39	Operating Pressure (For Attachments)	Mpa	19.5		



a=200mm Safety clearance  
Ast=a+X1+Wa+B



## Engine

### XICHAO

Model: CA4DF3-12GCG3U  
 Manufacturer: XICHAO  
 Rated Output / r.p.m.: 85KW/2200RPM  
 Rated Torque / r.p.m.: 460N·m/ 1300~1700RPM  
 No. of Cylinder: 4  
 Bore x Stroke: 110×125mm  
 Displacement: 4.75L

### CHAOCHAI

Model: 6102BG6  
 Manufacturer: CHAOCHAI  
 Rated Output / r.p.m.: 80.9KW/2500RPM  
 Rated Torque / r.p.m.: 353N·m/1650RPM  
 No. of Cylinder: 6  
 Bore x Stroke: 102×118mm  
 Displacement: 5.785L

### ISUZU

Model: A-6BG1QC  
 Manufacturer: ISUZU  
 Rated Output / r.p.m.: 82KW/2000RPM  
 Rated Torque / r.p.m.: 416N·m/1400~1600RPM  
 No. of Cylinder: 6  
 Bore x Stroke: 105×125mm  
 Displacement: 6.494L

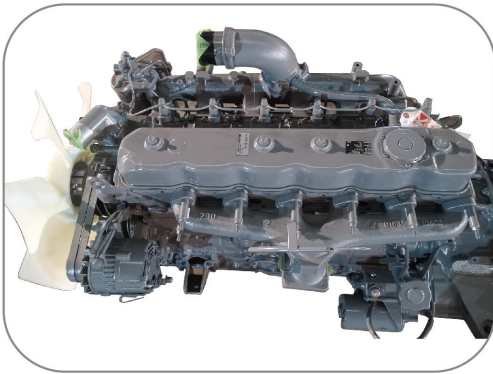
### CUMMINS

Model: QSF3.8T3TC115  
 Manufacturer: CUMMINS  
 Rated Output / r.p.m.: 86KW/2200RPM  
 Rated Torque / r.p.m.: 470N·m/1100-1700RPM  
 No. of Cylinder: 4  
 Bore x Stroke: 107×124mm  
 Displacement: 3.76L

## Heavy Duty Diesel Forklift 5.0-10.0 Ton

UN 5.0-10.0 ton heavy duty diesel forklift trucks are designed for high performance, maximum efficiency and lowest possible operating cost. Its robust components enable the forklift to operate over the rough terrain with excellent maneuverability.

### Reliability



Powerful engine: 6-cylinder engine with low noise and minimal vibration. The high torque and high output at low rpm to make sure the high performance.



Excellent cooling system: Advanced cooling technology matching with large-capacity water tank and large exhaust window improve cooling channel effectively.



Strengthened and tough axles & large turning angle: Make it efficient and flexible handling and steering.

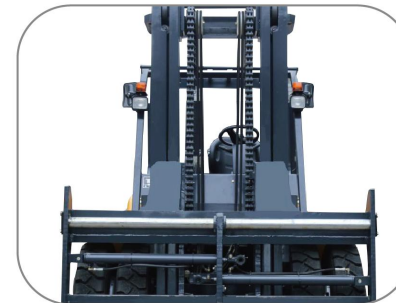


The accumulator in brake system with full of compression energy. It can be changed to hydraulic energy immediately to the brake system and makes the brake prompt respond and more smoothly.

### Safety



High intensity overhead guard guarantees the operator's safety.



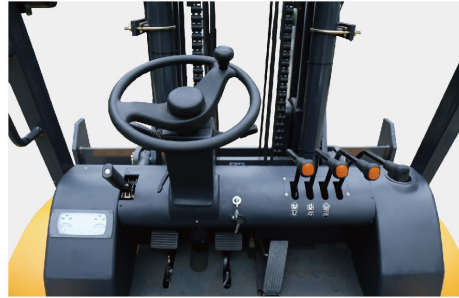
Heavy duty welded mast: Wide designed with good visibility, ensures its excellent forward visibility, improves working efficiency and safety.



## Comfort



Adjustable seat, adjustable steering wheel, large foot space and wide operation space can provide the maximum comfort and let the driver enjoy the process of work.



Intelligent instrument panel(fuel level, hour meter, water temperature, engine oil indicator, charger indicator, preheating indicator, oil filter alarm, forward, reverse and neutral direction indicators).

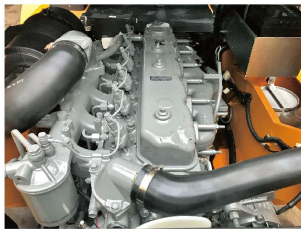


Low, large and anti skid pedal.

## Easy Service and Maintenance



Wide opening engine hood for easy servicing.



Optimization internal layout for improved serviceability.



Rear cover available to be opened for easy radiator cleaning.

## 5.0-7.0T MAST SPECIFICATIONS & RATED CAPACITIES

Mast Type	Mast Name	Max. Fork Height (mm)	Load Capacity (kg)		Overall Height (mm)						Free Lift (mm)				Tilt Angle
					Lowered	Extended		Lowered	Extended		Without Backrest	With Backrest	Without Backrest	With Backrest	
						Without Backrest	With Backrest		Without Backrest	With Backrest					
					FD50T	FD70T	5.0t		7.0t		5.0t		7.0t		
2-Stage Wide View Mast	M300	3000	5000	7000	2515	3955	4425	2615	3970	4440	200	200	215	215	6-12
	M310	3100	5000	7000	2565	4055	4525	2665	4070	4540	200	200	215	215	6-12
	M330	3300	5000	7000	2665	4255	4725	2765	4270	4740	200	200	215	215	6-12
	M350	3500	5000	7000	2765	4455	4925	2865	4470	4940	200	200	215	215	6-12
	M375	3750	5000	7000	2890	4705	5175	2990	4720	5190	200	200	215	215	6-12
	M400	4000	5000	7000	3065	4955	5425	3165	4970	5440	200	200	215	215	6-12
	M450	4500	5000	7000	3315	5455	5925	3415	5470	5940	200	200	215	215	6-12
	M475	4750	5000	7000	3440	5705	6175	3540	5720	6190	200	200	215	215	6-6
	M500	5000	5000	7000	3565	5955	6425	3665	5970	6440	200	200	215	215	6-6
	M550	5500	4750	6600	3865	6455	6925	3965	6470	6940	200	200	215	215	3-6
M600	6000	4400	6400	4115	6955	7425	4215	6970	7440	200	200	215	215	3-6	
3-Stage Full Free Wide View Mast	TFM360	3600	5000	7000	2375	4715	5027	2475	4730	5042	1252	945	1311	1045	6-6
	TFM400	4000	5000	7000	2510	5117	5429	2610	5132	5444	1387	1080	1443	1180	6-6
	TFM435	4350	4500	6500	2625	5463	5775	2725	5478	5790	1502	1195	1559	1295	6-6
	TFM450	4500	4500	6000	2675	5613	5925	2775	5628	5940	1552	1245	1609	1345	6-6
	TFM480	4800	4500	6000	2775	5913	6225	2875	5928	6240	1652	1345	1709	1445	6-6
	TFM500	5000	4500	6000	2840	6107	6419	2940	6122	6434	1717	1410	1773	1510	3-6
	TFM550	5500	4200	5700	3005	6603	6915	3105	6618	6930	1882	1575	1939	1675	3-6
	TFM600	6000	4000	5400	3220	7103	7415	3320	7118	7430	2097	1790	2109	1890	3-6
	TFM650	6500	3350	4750	3385	7597	7909	3485	7612	7924	2262	1955	2273	2055	3-3
	TFM700	7000	2900	3700	3550	8093	8405	3650	8108	8420	2427	2120	2439	2220	3-3

With side shifter, load capacity subtract 500Kg; With intergrated side shifter, load capacity subtract 400Kg.

## 10.0T MAST SPECIFICATIONS & RATED CAPACITIES

Mast Type	Mast Name	Max. Fork Height (mm)	Load Capacity (kg)	Overall Height (mm)		Free Lift (mm)	Tilt Angle
				Lowered	Extended		
				FD100T	10.0t		
2-Stage Wide View Mast	M250	2500	10000	2595	3785	220	6-12
	M300	3000	10000	2845	4285	220	6-12
	M330	3300	10000	2995	4585	220	6-12
	M350	3500	10000	3095	4785	220	6-12
	M400	4000	10000	3395	5285	220	6-12
	M450	4500	10000	3645	5785	220	6-12
	M475	4750	10000	3770	6035	220	6-6
	M500	5000	10000	3895	6285	220	6-6
	M550	5500	9000	4195	6785	220	3-6
M600	6000	8000	4445	7285	220	3-6	
3-Stage Full Free Wide View Mast	TFM360	3600	8000	2565	4940	1280	6-12
	TFM400	4000	8000	2695	5330	1410	6-12
	TFM435	4350	8000	2815	5690	1530	6-12
	TFM450	4500	7800	2865	5840	1580	6-12
	TFM480	4800	7500	2965	6140	1680	6-6
	TFM500	5000	7500	3030	6335	1745	6-6
TFM540	5400	7000	3220	6755	1935	3-6	
TFM600	6000	6000	3420	7355	2135	3-6	

With intergrated side shifter, load capacity subtract 200Kg.