

MAIN SPECIFICATIONS						
General	1	Manufacturer		UN		
	2	Model		FL60T-LFJV3	FL70T-LFJV3	
	3	Power type		LPG	LPG	
	4	Rated Load Capacity		13,500 (6,000)	15,500 (7,000)	
	5	Load Centre		lb (kg)	24 (610)	24 (610)
Characteristic & Dimension	6	Rated Lift Height	H3	in (mm)	171.5 (4357)	171.5 (4357)
	7	Free Lift Height	H2	in (mm)	6.7 (170)	6.7 (170)
	8	Fork Size	T×W×L	in (mm)	2.6X6X48 (65X150X1220)	2.4X6X48 (60X150X1220)
	9	Mast Tilt Angle	α/β	(α°/β°)	6/10	6/10
	10	Fork Overhang (Wheel Center to Fork Face)	X1	in (mm)	20.9 (530)	20.9 (530)
	11	Rear Overhang		in (mm)	568	568
	12	Ground Clearance (Bottom of Mast)	H7	in (mm)	4.3 (110)	4.3 (110)
	13	Length to Face of Fork (Without Fork)	L1	in (mm)	118 (3000)	118 (3000)
	14	Overall Width	B1	in (mm)	55.9 (1420)	55.9 (1420)
	15	Mast Lowered Height	H1	in (mm)	98.4 (2500)	98.4 (2500)
	16	Mast Extended Height (With Backrest)	H4	in (mm)	118.1 (3000)	118.1 (3000)
	17	Overhead Guard Height	H5	in (mm)	88 (2235)	88 (2235)
	18	Turning Radius (Outside)	Wa	in (mm)	102 (2590)	102 (2590)
	19	Min.Aisle width for pallets	Ast	in (mm)	168.4 (4278)	168.4 (4278)
Performance	20	Travel Speed (No Load)		mph (km/h)	13/13 (21/21)	13/13 (21/21)
	21	Lifting Speed (No Load/Full Load)		ft/min (m/s)	85/81 (0.43/0.41)	85/81 (0.43/0.41)
	22	Lowering Speed (No Load/Full Load)		ft/min (m/s)	77/83 (0.39/0.42)	77/83 (0.39/0.42)
	23	Max.Drawbar		N	27000	27000
	24	Max.Gradeability		%	31/24	27/23
Chassis	25	Tyre (Front x2)		in (mm)	28×12×22	28×12×22
	26	Tyre (Rear x2)		in (mm)	22×10×16	22×10×16
	27	Front Tread		in (mm)	43.9 (1115)	43.9 (1115)
	28	Rear Tread		in (mm)	45.8 (1163)	45.8 (1163)
	29	Wheelbase		in (mm)	74.2 (1885)	74.2 (1885)
Weight	30	Total Weight		lb (kg)	19510 (8850)	21319 (9670)
	31	Front Axle Weight Distribution (Full Load)		lb (kg)	28867 (13094)	32302 (14652)
	32	Rear Axle Weight Distribution (Full Load)		lb (kg)	3809 (1728)	4440 (2014)
	33	Front Axle Weight Distribution (No Load)		lb (kg)	7641 (3466)	7538 (3419)
	34	Rear Axle Weight Distribution (No Load)		lb (kg)	11810 (5357)	13774 (6248)
Power & Transmission	35	Battery		V/Ah	12-80	12-80
	36	Engine Model			WG3800	WG3800
	37	Engine Manufacturer			Kubota	Kubota
	38	Rated Output/r.p.m.		hp/r	59/2400	59/2400
	39	Rated Torque/r.p.m.		N·m/r	282/1200	282/1200
	40	No.of Cylinder			4	4
	41	Bore x Stroke		in (mm)	100X120	100X120
	42	Displacement		cc	3768	3768
	43	Fuel Tank Capacity		gal (L)	26.4 (100)	26.4 (100)
	44	Transmission Type			Powershift	Powershift
	45	Transmission Stage (FWD/RVS)			2/1	2/1
	46	Operating Pressure		PSI (mpa)	23	23

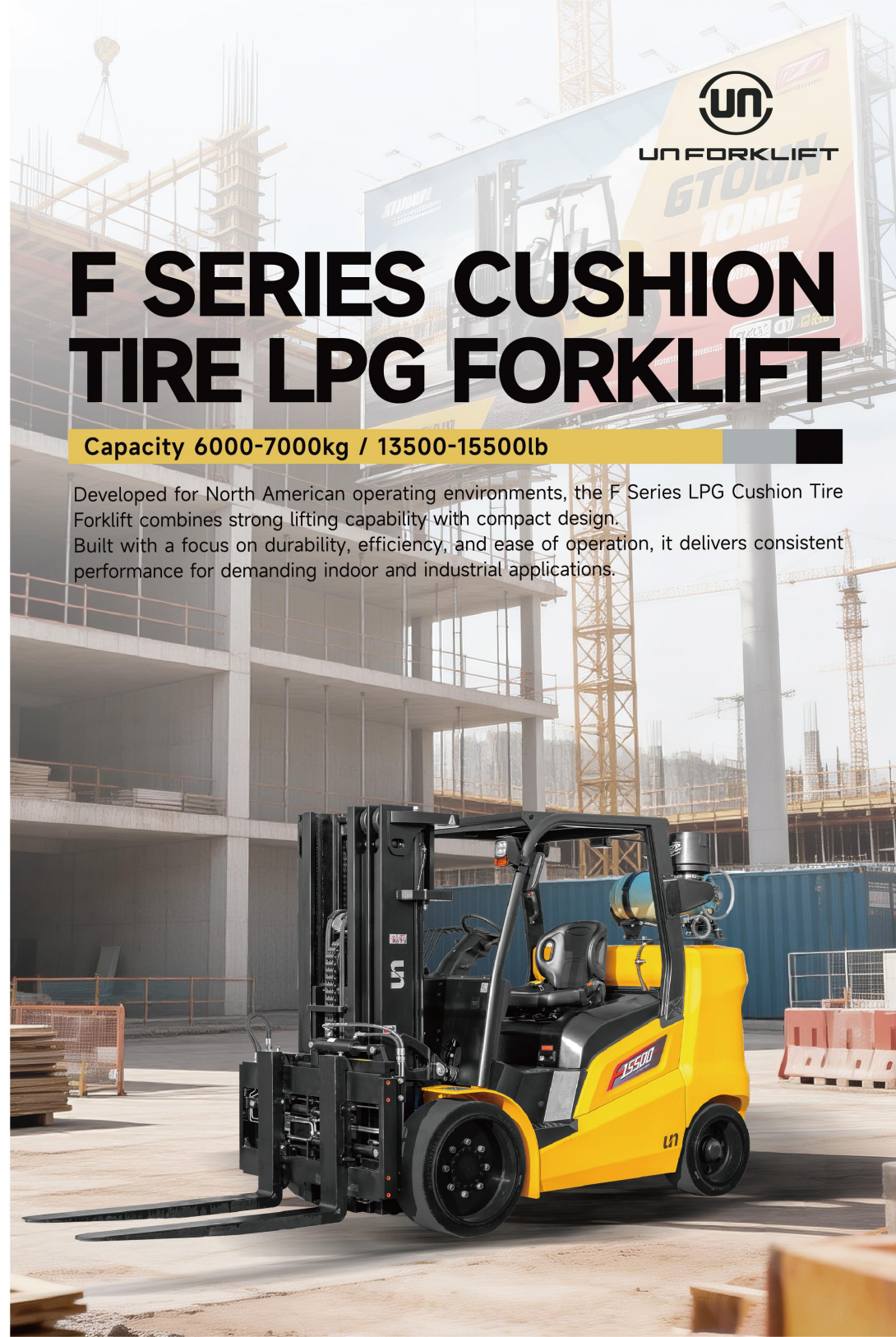


ZHEJIANG UN FORKLIFT CO., LTD.

ADDRESS: NO.1,ROAD ONE,XINDENG NEW DISTRICT,FUYANG,
HANGZHOU,ZHEJIANG 311404,CHINA
TEL: +86-571-8688 8355 (AMERICA)
+86-571-8886 9363 (EUROPE)
+86-571-8688 8377 (ASIA, AFRICA, OCEANIA)

E-MAIL: info@unforklift.com
PARTS INQUIRY: parts@unforklift.com

www.unforklift.com



F SERIES CUSHION TIRE LPG FORKLIFT

Capacity 6000-7000kg / 13500-15500lb

Developed for North American operating environments, the F Series LPG Cushion Tire Forklift combines strong lifting capability with compact design. Built with a focus on durability, efficiency, and ease of operation, it delivers consistent performance for demanding indoor and industrial applications.



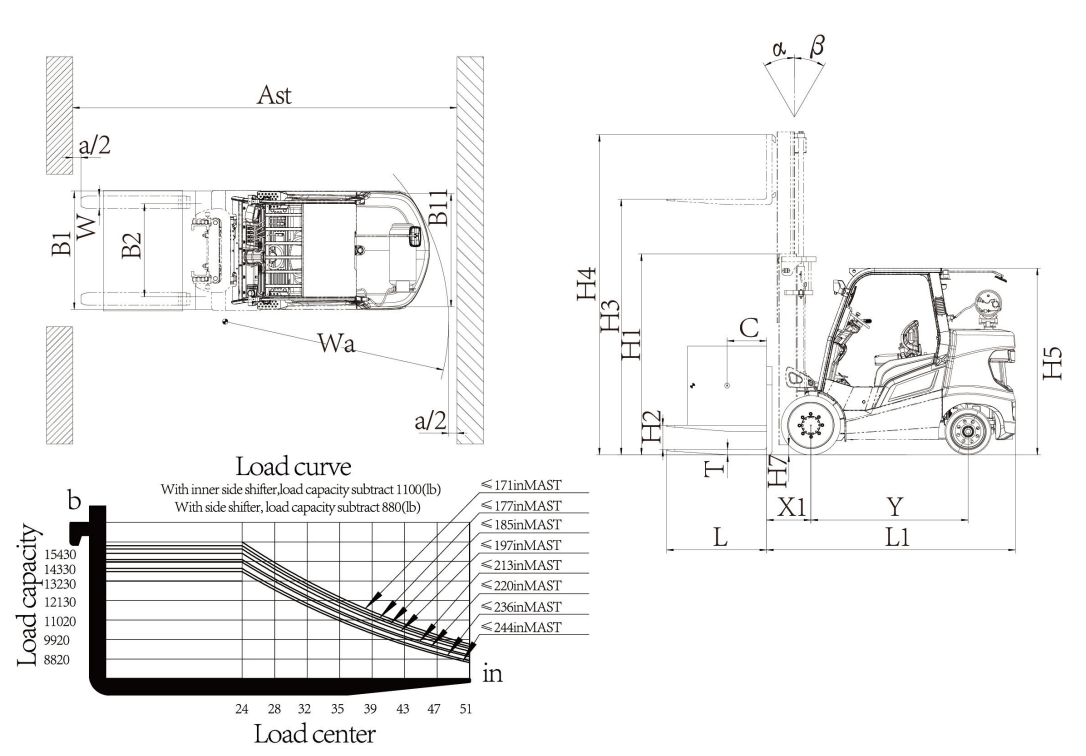
- Floating Transmission reduces seat vibration.
- Precision bevel gear face-milling process, reducing operating noise and improve durability.
- Dedicated wet clutch and hydraulic system designed for extreme operating conditions.
- Durable electronic control wet brake, automatically applied when the operator leaves the seat without engaging the parking brake.
- Optimized control valves ensure smooth shifting and improved driving comfort.
- High braking torque with fast response, delivering short stopping distances.
- Independent solenoid control valve for electronic parking brake, improving safety and reliability.
- Reinforced axle housing design, ensuring long-term durability and dependable performance in heavy-load applications.
- Independent oil pump for drive axle cooling, oil service life >2,000 hours.

STANDARD

- KUBOTA Engine
- Smooth Cushion Tire
- Floating Transmission
- Open OHG
- Standard Fork

OPTIONAL

- Triplex Full Free Mast
- Rear Handle With Horn
- Rear Blue Spot Light
- 3rd Valve & Pipe
- 4th Valve & Pipe
- Side Shifter
- OPS (Operator Presence System)
- Suspension Seat
- No-marking Solid Tyre
- Sideshift & Fork Positioner
- Wider Carriage
- Various Specialty Attachments
- Specialty Forks



MAST SPECIFICATIONS & RATED CAPACITIES										
Mast Type	Mast Name	Max. Fork Height (mm)	Load capacity (kg)		Overall Height (mm)			Free Lift (mm)		Tilt Angle
					Lowered	Extended		Without Backrest	With Backrest	
			Without Backrest	With Backrest		Without Backrest	With Backrest			
Wide View Mast	M250	2500	6000	7000	2150	2555	3951	129		6/10
	M280	2800	6000	7000	2300	2855	4251	129		6/10
	M300	3000	6000	7000	2400	3055	4451	129		6/10
	M330	3300	6000	7000	2550	3355	4751	129		6/10
	M350	3500	6000	7000	2650	3555	4951	129		6/10
	M375	3750	6000	7000	2775	3805	5201	129		6/10
3-Stage Full Free Wide View Mast	M400	4000	6000	7000	2900	4055	5451	129		6/10
	TFM360	3600	6000	7000	2170	3635	5017	743	743	6/6
	TFM380	3800	6000	7000	2235	3835	5217	808	808	6/6
	TFM400	4000	6000	7000	2300	4035	5417	873	873	6/6
	TFM435	4350	6000	7000	2430	4385	5767	1003	1003	6/6
	TFM450	4500	6000	6900	2470	4545	5927	1043	1043	6/6
	TFM470	4700	6000	6820	2540	4735	6117	1113	1113	6/6
	TFM500	5000	5940	6710	2680	5035	6417	1253	1253	6/6
	TFM540	5400	5800	6550	2800	5435	6817	1373	1373	6/6
	TFM560	5600	5740	6480	2870	5635	7017	1443	1443	6/6
TFM600	6000	5600	6320	3050	6035	7417	1623	1623	6/6	
TFM620	6200	5530	6240	3120	6235	7617	1693	1693	6/6	

Note: With side shifter, load capacity subtract 500Kg; With inner side shifter, load capacity subtract 400Kg.